

LIGHT CURTAIN LCS20 SERIES

Features

- (1) Small size and plastic housing, suitable for small space applications;
- (2) Clear LED indicator, low cost and high performance;
- (3) The functional state is adjustable and the anti-interference ability is strong;

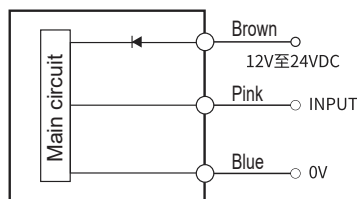


Ratings and Specifications

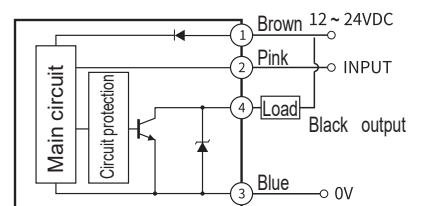
Models NPN	LCS20-06	LCS20-08	LCS20-12	LCS20-16
Models PNP	LCS20-06P	LCS20-08P	LCS20-12P	LCS20-16P
Light beam number	6PCS light beams	8PCS light beams	12PCS light beams	16PCS light beams
Distance between light beams	20mm			
Height Max. sensing	100mm	140mm	220mm	300mm
Sensing distance	0.2-2.5 Meter			
Min. sensing target	φ30mm Non-transparent objects			
Working voltage	DC12-24V±10%			
Power consumption	3-8W			
Response time	Less than 20ms			
Safety level	IEC61496-1/2			
Outputs	NPN/PNP/Relays			
Outputs currents	200mA			
Circuit protection	Reverse connection protection, overcurrent protection, overvoltage protection			
Indicator of emitter	Power ON: Red LED			
Indicator of receiver	Power LED: Red			
	Output LED: Yellow			
	Alarm indicator: When the power is ON and the self-test, the output loop is found if disconnected, and the green LED flashes.			
Protection	IP65/IP67 (Optional)			
Main materials	Shell: ABS , Cap: ABS , Bracket: Cold rolled steel plate			
Operating ambient temperature	-10~+55°C (No frost and freezing)			
Operating ambient humidity	15-85%			
Operating ambient anti lights	Sunlight: 30,000 Lux, Incandescent lamp: 3,000 Lux			
Anti-vibration ability	Frequency 10-55Hz, Amplitude: 0.75mm, 2 hours in XYZ direction			
Anti-shock ability	Acceleration 300m/s ² 2 hours in XYZ direction			
Storage conditions	-10~+70°C (No frost and freezing)			
Synchronization mode	Optical or line synchronization (optional)			

Output/input circuit

Transmitter

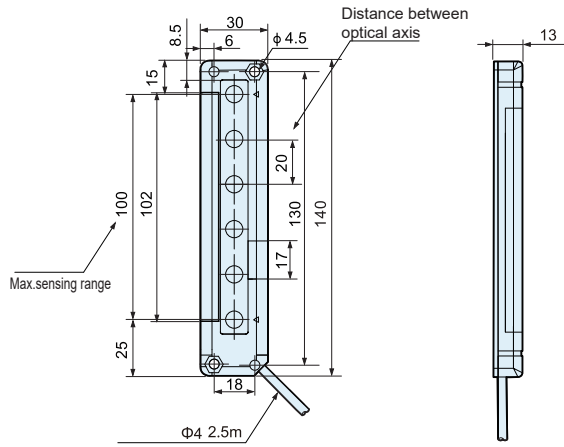


Receiver

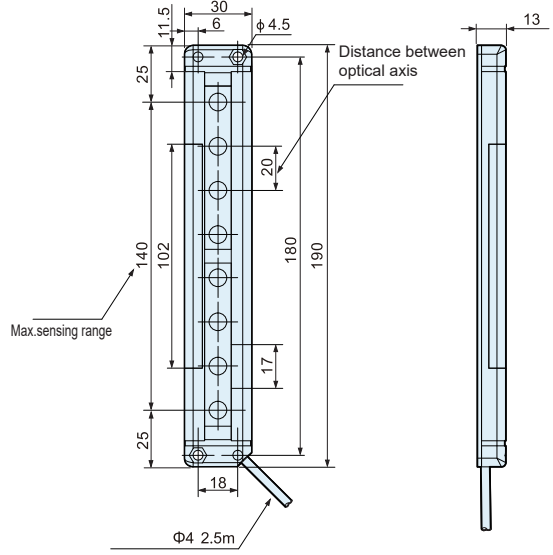


Main body 13mm×30mm

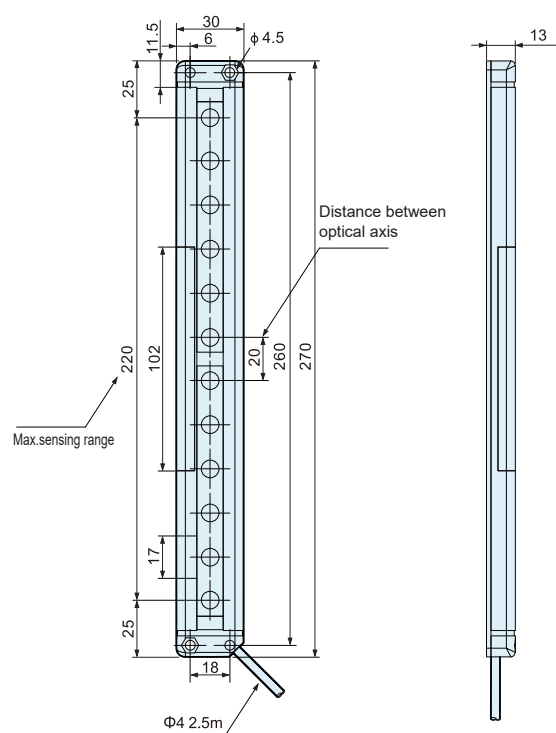
LCS20-06



LCS20-08



LCS20-12



LCS20-16

